

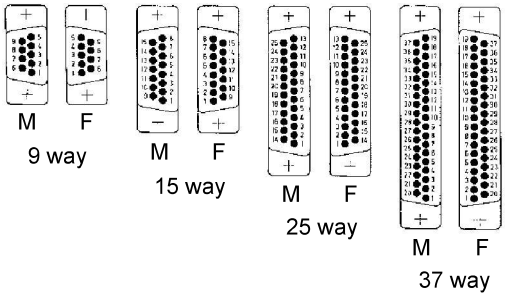
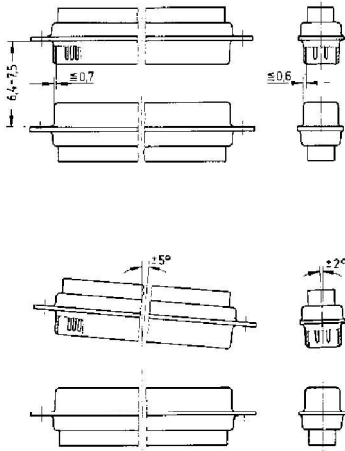
 HARTING Pushing Performance	HARTING Product Termination Notification	PTN
--	---	------------

Business Unit:	Electronics	PTN/21/021/C+N
Product range:	Interface connectors / D-Sub	Date: 2021-08-27
Author:	Hartmut Klaus	
Title:	Discontinuation of D-Sub Ferrit Filter - External	

Details of product termination

1. Concerned part number (see also attachment):
See attached list of concerned partnumbers.
2. Reason for termination:
Our global sales with these specific products is very low and further decreasing year by year. Due to the decreasing volume the production costs regularly increase.
3. Possible replacement products
Depending on the application and the electromagnetic interference a replacement can be found in our D-Sub C-Filter portfolio. Please note, a direct replacement is not possible for each type. Please contact your local HARTING subsidiary, if any support is needed.
4. Scheduled date of:
<ul style="list-style-type: none"> 1. <i>Last order:</i> 2022-09-30 2. <i>Last delivery:</i> 2022-12-31
5. Data sheet (optional):

partnumber	material description
09641117800	9 way S Cup Female ferrite Wout
09641127800	9 way Straight Female Ferrite Wout
09641137802	9 way RA Female ferrite BLnut4
09641217800	9 way S Cup Male Ferrite Wout
09641227800	9 way Straight Male Ferrite Wout
09641237802	9 way RA Male ferrite BLnut4
09642117800	15 way S Cup Female ferrite Wout
09642127800	15 way Straight Female Ferrite Wout
09642137802	15 way RA Female ferrite BLnut4
09642217800	15 way S Cup Male Ferrite Wout
09642227800	15 way Straight Male Ferrite Wout
09642237802	15 way RA Male ferrite BLnut4
09643117800	25 way S Cup Female ferrite Wout
09643127800	25 way Straight Female Ferrite Wout
09643137802	25 way RA Female ferrite BLnut4
09643217800	25 way S Cup Male Ferrite Wout
09643227800	25 way Straight Male Ferrite Wout
09643237802	25 way RA Male ferrite BLnut4
09644117800	37 way S Cup Female ferrite Wout
09644137802	37 way RA Female ferrite BLnut4
09644217800	37 way S Cup Male Ferrite Wout
09644237802	37 way RA Male ferrite BLnut4

<p>Number of contacts</p>	<p>9, 15, 25, 37</p>	<p>Contact arrangement View from termination side</p>  <p>M = Male connector F = Female connector</p>
<p>Working current</p>	<p>7.5 A max. (connectors) 6.5 A max. (filter adapters)</p>	
<p>Working voltage</p>	<p>100 V max. for standard capacitance values – higher working voltages are available as specific.</p>	
<p>Dielectric withstanding voltage</p>	<p>250 V DC max. – higher dielectric withstanding voltages are available as specific (see page 05.112)</p>	
<p>Contact resistance Insulation resistance</p>	<p>≤ 10 mΩ ≥ 1000 MΩ</p>	
<p>Temperature range</p>	<p>-55 °C ... +125 °C (connectors) Heat deflection temperature limit according to DIN 53461: ... +255 °C -20 °C ... +125 °C (filter adapters)</p>	
<p>Terminations</p>	<p>a) Solder buckets max. 0.8 mm² b) Solder pins Ø 0.6 mm for P.C.B. holes Ø 0.8/1 mm c) Solder pins, angled 90° Ø 0.6 mm for P.C.B. holes Ø 0.8/1 mm</p>	<p>Mating conditions as per CECC 75 301</p> 
<p>Materials Insulation</p>	<p>PCT, glass-fibre filled, flame retardant acc. to UL 94-V0 Colour: natural</p>	
<p>Contacts</p>	<p>Copper alloy Male and female contacts are turned</p>	
<p>Contact surface Contact zone</p>	<p>Selectively plated according to performance level</p>	
<p>Performance level</p>	<p>Performance level 2, as per CECC 75 301-802, 250 mating cycles, 4 days 4 mixed gas test – IEC 60512</p>	
<p>Metal shell</p>	<p>Steel</p>	

Pi filters are only available for male connectors

Attenuation characteristics for standard capacitance values

Min. insertion loss

Capacitance [pF] ¹⁾	Frequency [MHz]	Attenuation (in dB) vs. frequency [MHz]						
		1	5	10	50	100	500	1000
47							30	35
470				1	11	16	35	32
1000			1	3	12	24	38	30
3900		1	6	11	25	35	38	32

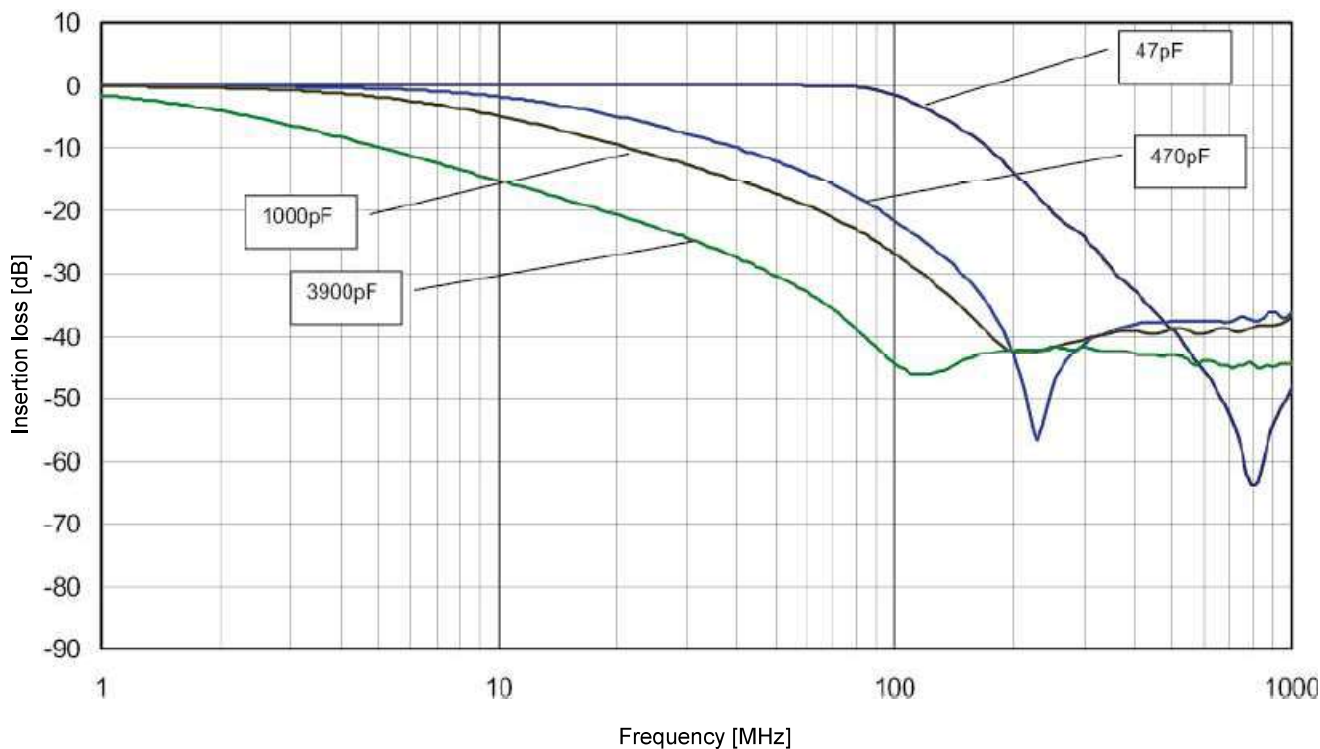
¹⁾ Capacitance tolerance = ± 20 % (For other capacitor values see pages 05.112 ff).

Measured in 50 Ω system according to MIL-STD-220, no load.

Working voltage: 100 V max. for standard capacitance values – higher working voltages are available as specific.

Dielectric withstanding voltage: 250 V DC max. – higher dielectric withstanding voltages are available as specific (see page 05.112)

Typical insertion loss for different filters (measured)



Number of contacts

9-37

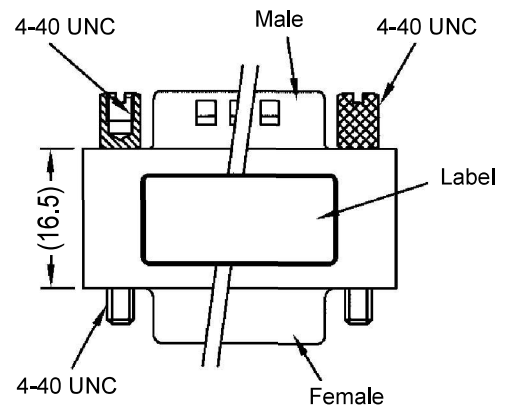
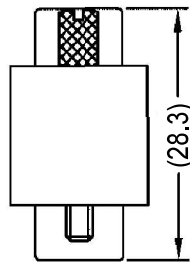
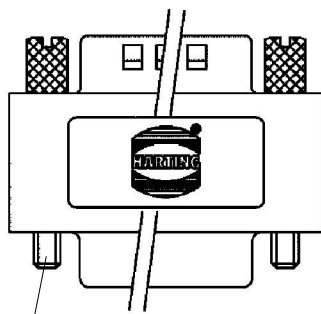
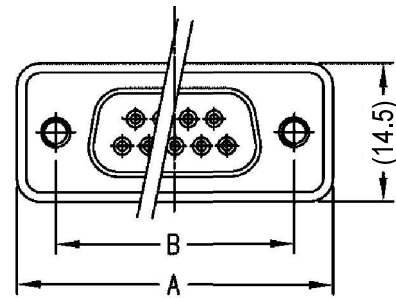


Filter adapters

Identification	No. of contacts	Part number
Male / female filter adapters with C filter	9	09 64 100 72 ...
	15	09 64 200 72 ...
	25	09 64 300 72 ...
	37	09 64 400 72 ...
Please insert digit for capacitance	47 pF ▶ 10	
	470 pF ▶ 20	
	1000 pF ▶ 30	
	3900 pF ▶ 40	

Dimensions

	A	B
9	32.8	24.99
15	41.1	33.32
25	55.0	47.04
37	71.3	63.50



Screws are not pre-mounted to allow mounting from any ends

Number of contacts

9-37



Turned solder pins, straight, through hole

Identification	No. of contacts	Part number	
		male connectors	female connectors
Connectors with 47 pF C filter	9	09 64 122 7210	09 64 112 7210
	15	09 64 222 7210	09 64 212 7210
	25	09 64 322 7210	09 64 312 7210
	37	09 64 422 7210	09 64 412 7210
Connectors with 470 pF C filter	9	09 64 122 7220	09 64 112 7220
	15	09 64 222 7220	09 64 212 7220
	25	09 64 322 7220	09 64 312 7220
	37	09 64 422 7220	09 64 412 7220
Connectors with 1000 pF C filter	9	09 64 122 7230	09 64 112 7230
	15	09 64 222 7230	09 64 212 7230
	25	09 64 322 7230	09 64 312 7230
	37	09 64 422 7230	09 64 412 7230
Connectors with 3900 pF C filter	9	09 64 122 7240	09 64 112 7240
	15	09 64 222 7240	09 64 212 7240
	25	09 64 322 7240	09 64 312 7240
	37	09 64 422 7240	09 64 412 7240

D-Sub

Number of contacts

9-37



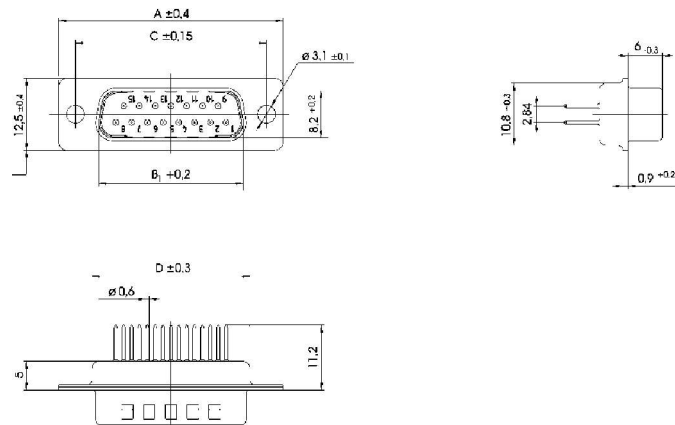
Turned solder pins, straight, through hole

Identification

Drawing

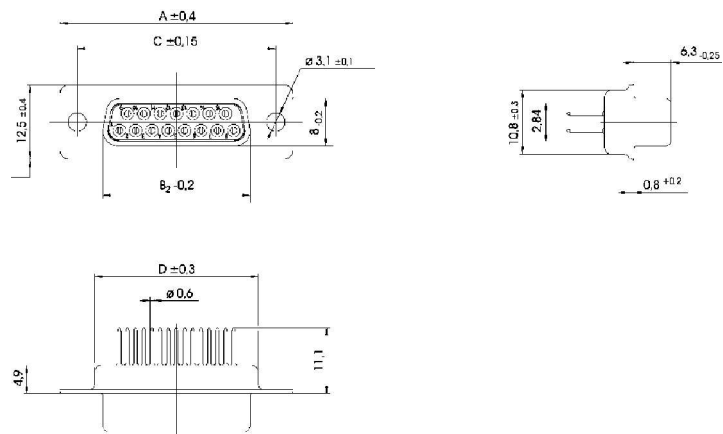
Dimensions in mm

Male connector

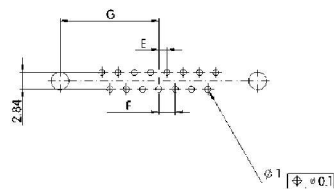


No. of contacts	A	B ₁	B ₂	C	D	E	F	G
9	30.8	16.9	16.4	25.00	19.3	1.37	2.74	12.50
15	39.1	25.2	24.7	33.30	27.5	1.37	2.74	16.65
25	53.0	38.9	38.5	47.04	41.3	1.40	2.77	23.52
37	69.3	55.3	54.9	63.50	57.7	1.40	2.77	31.75

Female connector



Board drillings



Number of contacts

9-37



Turned solder pins, straight, straight board clips

Identification	No. of contacts		Part number	
			male connectors	female connectors
Connectors with 47 pF C filter	9		09 64 122 721 .	09 64 112 721 .
	15		09 64 222 721 .	09 64 212 721 .
	25		09 64 322 721 .	09 64 312 721 .
	37		09 64 422 721 .	09 64 412 721 .
Connectors with 470 pF C filter	9		09 64 122 722 .	09 64 112 722 .
	15		09 64 222 722 .	09 64 212 722 .
	25		09 64 322 722 .	09 64 312 722 .
	37		09 64 422 722 .	09 64 412 722 .
Connectors with 1000 pF C filter	9		09 64 122 723 .	09 64 112 723 .
	15		09 64 222 723 .	09 64 212 723 .
	25		09 64 322 723 .	09 64 312 723 .
	37		09 64 422 723 .	09 64 412 723 .
Connectors with 3900 pF C filter	9		09 64 122 724 .	09 64 112 724 .
	15		09 64 222 724 .	09 64 212 724 .
	25		09 64 322 724 .	09 64 312 724 .
	37		09 64 422 724 .	09 64 412 724 .
Please insert digit for flange thread	4-40 UNC ▶	5		
	M3 ▶	6		

D-Sub

Number of contacts

9-37



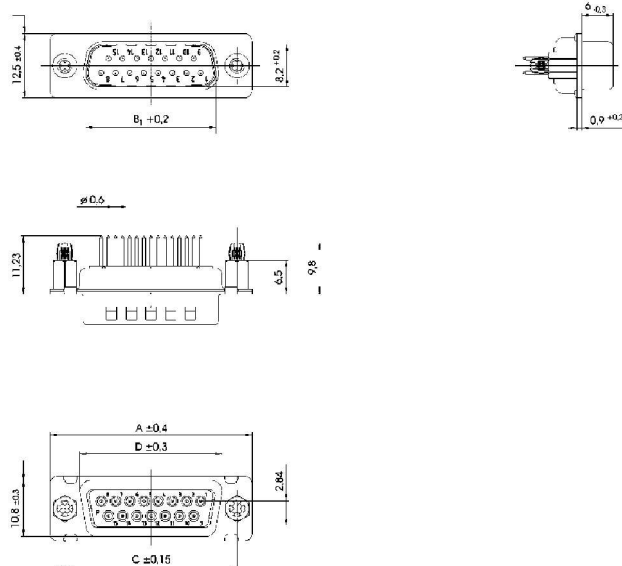
Turned solder pins, straight, straight board clips

Identification

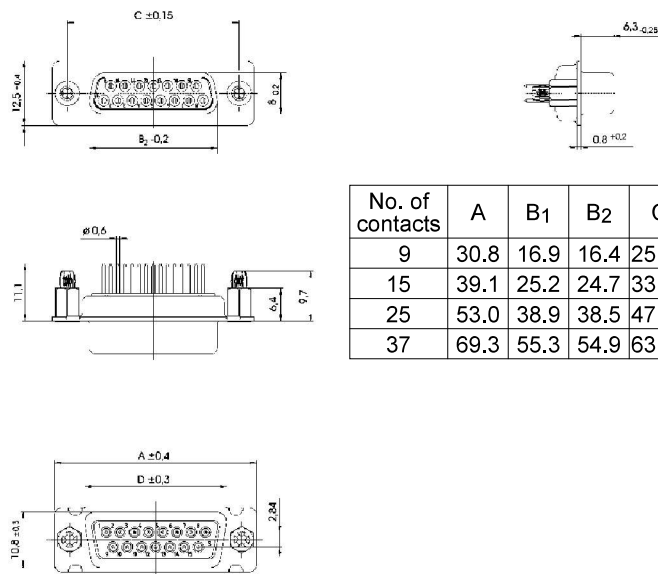
Drawing

Dimensions in mm

Male connector

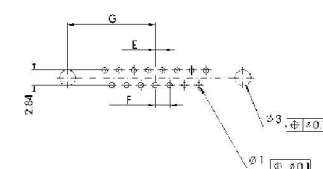


Female connector



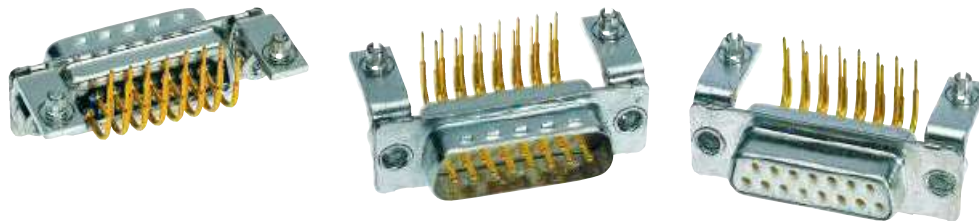
No. of contacts	A	B1	B2	C	D	E	F	G
9	30.8	16.9	16.4	25.00	19.3	1.37	2.74	12.50
15	39.1	25.2	24.7	33.30	27.5	1.37	2.74	16.65
25	53.0	38.9	38.5	47.04	41.3	1.40	2.77	23.52
37	69.3	55.3	54.9	63.50	57.7	1.40	2.77	31.75

Board drillings



Number of contacts

9-37



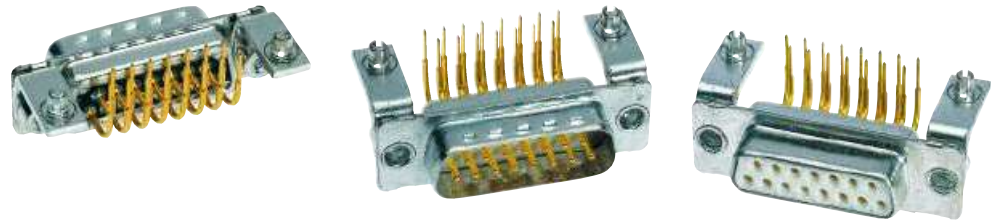
Turned solder pins, right angled, bracket, board lock and clinch nut

Identification	No. of contacts	Part number	
		male connectors	female connectors
Connectors with 47 pF C filter	9	09 64 124 721 .	09 64 114 721 .
	15	09 64 224 721 .	09 64 214 721 .
	25	09 64 324 721 .	09 64 314 721 .
	37	09 64 424 721 .	09 64 414 721 .
Connectors with 470 pF C filter	9	09 64 124 722 .	09 64 114 722 .
	15	09 64 224 722 .	09 64 214 722 .
	25	09 64 324 722 .	09 64 314 722 .
	37	09 64 424 722 .	09 64 414 722 .
Connectors with 1000 pF C filter	9	09 64 124 723 .	09 64 114 723 .
	15	09 64 224 723 .	09 64 214 723 .
	25	09 64 324 723 .	09 64 314 723 .
	37	09 64 424 723 .	09 64 414 723 .
Connectors with 3900 pF C filter	9	09 64 124 724 .	09 64 114 724 .
	15	09 64 224 724 .	09 64 214 724 .
	25	09 64 324 724 .	09 64 314 724 .
	37	09 64 424 724 .	09 64 414 724 .
Please insert digit for flange thread	4-40 UNC ▶	2	
	M3 ▶	3	

D-Sub

Number of contacts

9-37



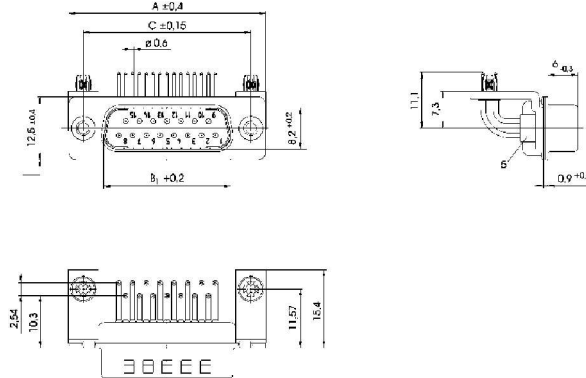
Turned solder pins, right angled, bracket, board lock and clinch nut

Identification

Drawing

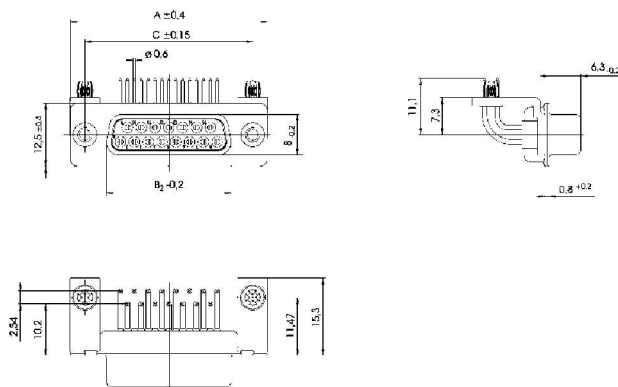
Dimensions in mm

Male connector

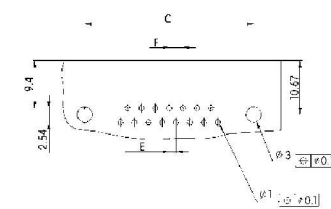


No. of contacts	A	B ₁	B ₂	C	E	F
9	30.8	16.9	16.4	25.00	1.37	2.74
15	39.1	25.2	24.7	33.30	1.37	2.74
25	53.0	38.9	38.5	47.04	1.40	2.77
37	69.3	55.3	54.9	63.50	1.40	2.77

Female connector



Board drillings



Number of contacts

9-37



Turned solder pins, right angled, bracket, board lock and female screw

Identification	No. of contacts	Part number	
		male connectors	female connectors
Connectors with 47 pF C filter	9	09 64 124 721 .	09 64 114 721 .
	15	09 64 224 721 .	09 64 214 721 .
	25	09 64 324 721 .	09 64 314 721 .
	37	09 64 424 721 .	09 64 414 721 .
Connectors with 470 pF C filter	9	09 64 124 722 .	09 64 114 722 .
	15	09 64 224 722 .	09 64 214 722 .
	25	09 64 324 722 .	09 64 314 722 .
	37	09 64 424 722 .	09 64 414 722 .
Connectors with 1000 pF C filter	9	09 64 124 723 .	09 64 114 723 .
	15	09 64 224 723 .	09 64 214 723 .
	25	09 64 324 723 .	09 64 314 723 .
	37	09 64 424 723 .	09 64 414 723 .
Connectors with 3900 pF C filter	9	09 64 124 724 .	09 64 114 724 .
	15	09 64 224 724 .	09 64 214 724 .
	25	09 64 324 724 .	09 64 314 724 .
	37	09 64 424 724 .	09 64 414 724 .
Please insert digit for flange thread	4-40 UNC ▶	4	
	M3 ▶	5	

D-Sub

Number of contacts

9-37



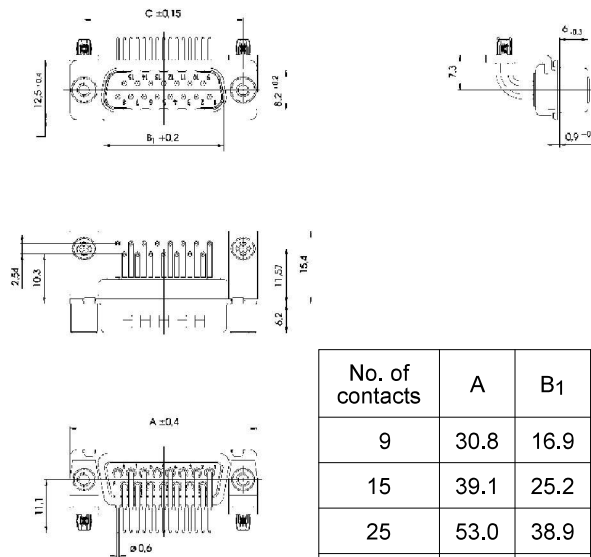
Turned solder pins, right angled, bracket, board lock and female screw

Identification

Drawing

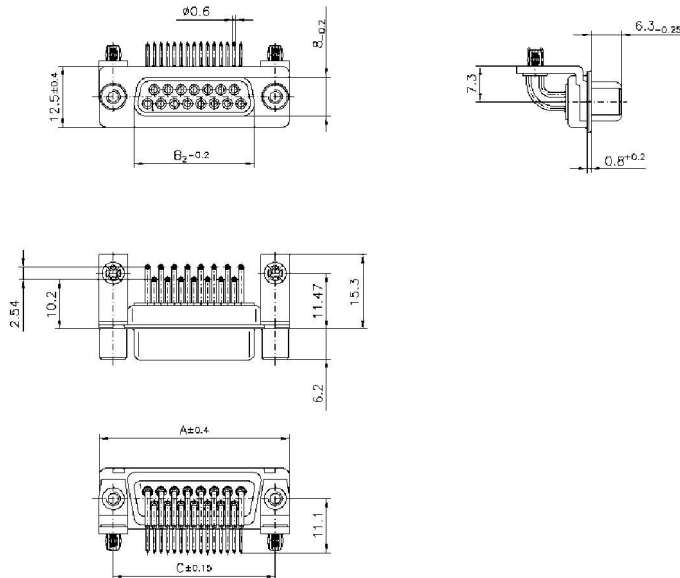
Dimensions in mm

Male connector

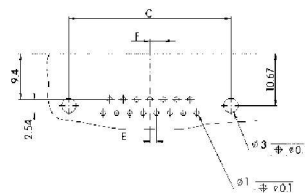


No. of contacts	A	B ₁	B ₂	C	E	F
9	30.8	16.9	16.4	25.00	1.37	2.74
15	39.1	25.2	24.7	33.30	1.37	2.74
25	53.0	38.9	38.5	47.04	1.40	2.77
37	69.3	55.3	54.9	63.50	1.40	2.77

Female connector



Board drillings



Number of contacts

9-37



Solder buckets, through hole

Identification	No. of contacts	Part number	
		male connectors	female connectors
Connectors with 47 pF C filter	9	09 64 121 7210	09 64 111 7210
	15	09 64 221 7210	09 64 211 7210
	25	09 64 321 7210	09 64 311 7210
	37	09 64 421 7210	09 64 411 7210
Connectors with 470 pF C filter	9	09 64 121 7220	09 64 111 7220
	15	09 64 221 7220	09 64 211 7220
	25	09 64 321 7220	09 64 311 7220
	37	09 64 421 7220	09 64 411 7220
Connectors with 1000 pF C filter	9	09 64 121 7230	09 64 111 7230
	15	09 64 221 7230	09 64 211 7230
	25	09 64 321 7230	09 64 311 7230
	37	09 64 421 7230	09 64 411 7230
Connectors with 3900 pF C filter	9	09 64 121 7240	09 64 111 7240
	15	09 64 221 7240	09 64 211 7240
	25	09 64 321 7240	09 64 311 7240
	37	09 64 421 7240	09 64 411 7240

D-Sub

Number of contacts

9-37



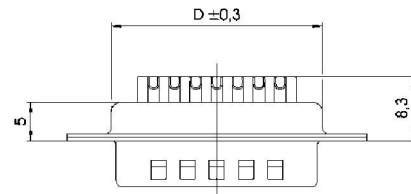
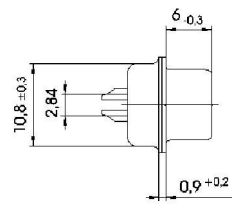
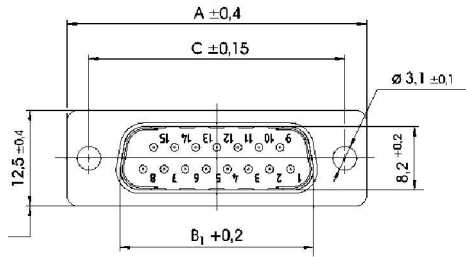
Solder buckets, through hole

Identification

Drawing

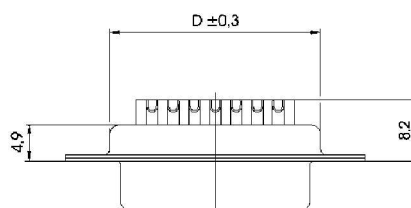
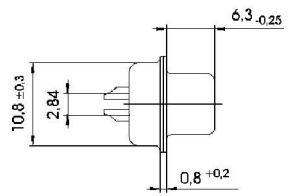
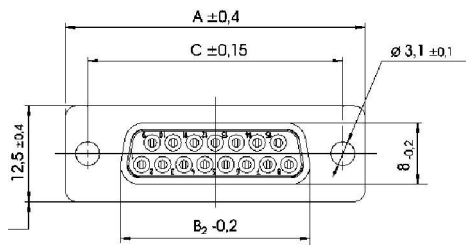
Dimensions in mm

Male connector



No. of contacts	A	B ₁	B ₂	C	D
9	30.8	16.9	16.4	25.00	19.3
15	39.1	25.2	24.7	33.30	27.5
25	53.0	38.9	38.5	47.04	41.3
37	69.3	55.3	54.9	63.50	57.7

Female connector



D-Sub

Number of contacts

9-37



Solder buckets, clinch nut

Identification	No. of contacts	Part number	
		male connectors	female connectors
Connectors with 47 pF C filter	9	09 64 121 721 .	09 64 111 721 .
	15	09 64 221 721 .	09 64 211 721 .
	25	09 64 321 721 .	09 64 311 721 .
	37	09 64 421 721 .	09 64 411 721 .
Connectors with 470 pF C filter	9	09 64 121 722 .	09 64 111 722 .
	15	09 64 221 722 .	09 64 211 722 .
	25	09 64 321 722 .	09 64 311 722 .
	37	09 64 421 722 .	09 64 411 722 .
Connectors with 1000 pF C filter	9	09 64 121 723 .	09 64 111 723 .
	15	09 64 221 723 .	09 64 211 723 .
	25	09 64 321 723 .	09 64 311 723 .
	37	09 64 421 723 .	09 64 411 723 .
Connectors with 3900 pF C filter	9	09 64 121 724 .	09 64 111 724 .
	15	09 64 221 724 .	09 64 211 724 .
	25	09 64 321 724 .	09 64 311 724 .
	37	09 64 421 724 .	09 64 411 724 .
Please insert digit for flange thread	4-40 UNC ▶	7	
	M3 ▶	8	

D-Sub

Number of contacts

9-37



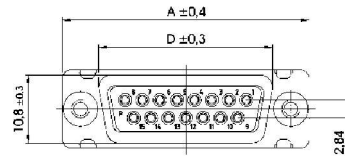
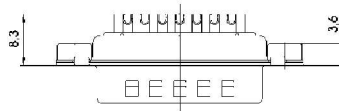
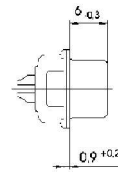
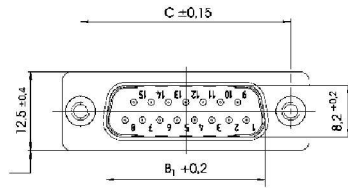
Solder buckets, clinch nut

Identification

Drawing

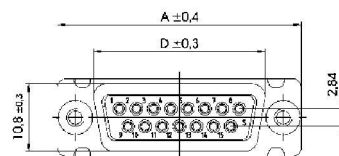
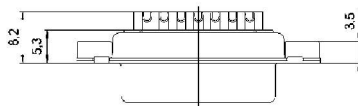
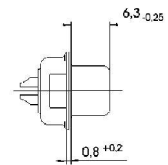
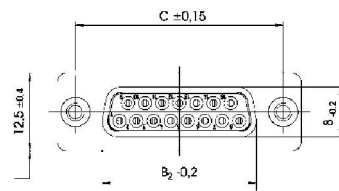
Dimensions in mm

Male connector



No. of contacts	A	B1	B2	C	D
9	30.8	16.9	16.4	25.00	19.3
15	39.1	25.2	24.7	33.30	27.5
25	53.0	38.9	38.5	47.04	41.3
37	69.3	55.3	54.9	63.50	57.7

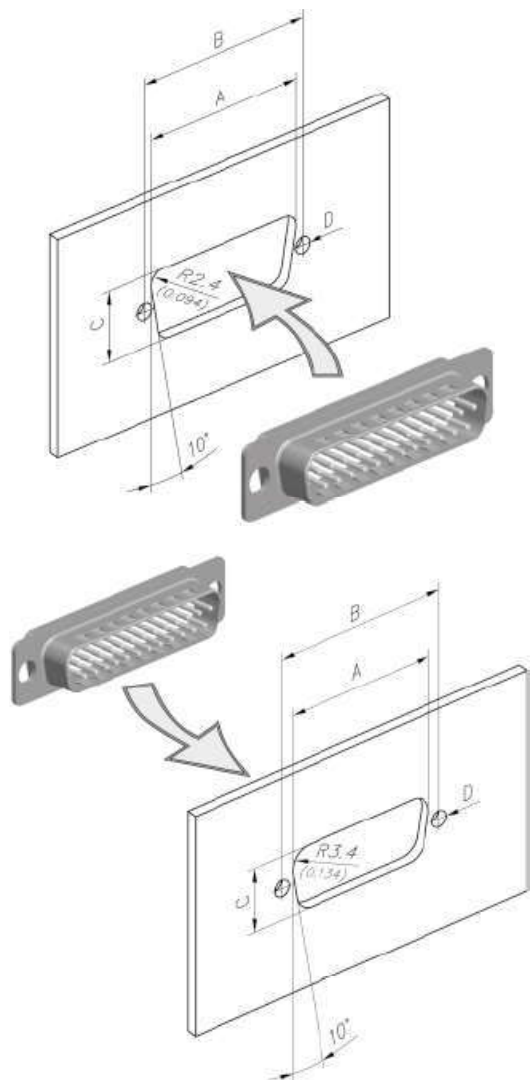
Female connector



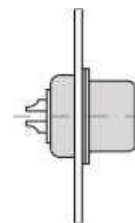
D-Sub

Panel cut outs / panel mountings

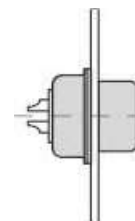
Panel cut outs



Front mounting

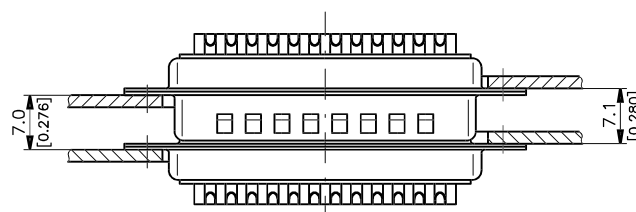
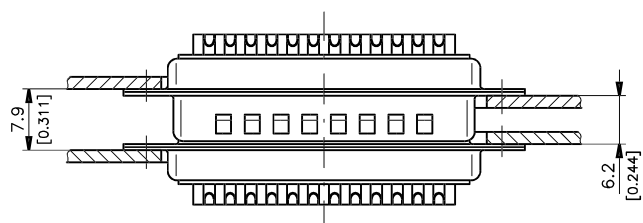


Rear mounting



No. of contacts	Mounting assembly	A ± 0.2	B ± 0.2	C ± 0.2
9	Front	22.2	25.0	12.3
	Rear	20.5	25.0	11.4
15	Front	30.5	33.3	12.3
	Rear	28.8	33.3	11.4
25	Front	44.3	47.0	12.3
	Rear	42.5	47.0	11.4
37	Front	60.7	63.5	12.3
	Rear	59.1	63.5	11.4

Panel mountings



For float mounting option please contact your local HARTING representative.

Dimensions in mm